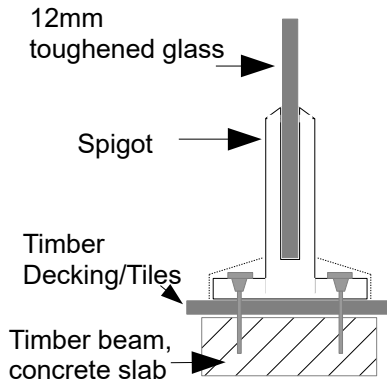


DIAGRAM B - GLASS FIXED WITH SURFACE-MOUNTED OR CORE-DRILLED SPIGOTS

SURFACE-MOUNTED



CORE-DRILLED

